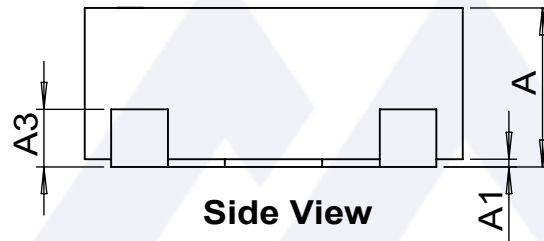
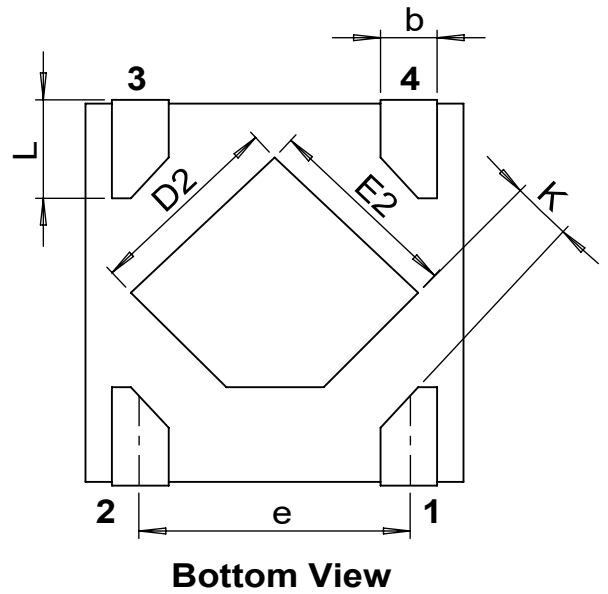


Pin 1 Indicator



| Symbol | Dimensions in mm |       |       | Dimensions in Inches |       |       |
|--------|------------------|-------|-------|----------------------|-------|-------|
|        | Min.             | Typ.  | Max.  | Min.                 | Typ.  | Max.  |
| A      | 0.340            | 0.370 | 0.400 | 0.013                | 0.015 | 0.016 |
| A1     | 0.000            | -     | 0.050 | 0.000                | -     | 0.002 |
| A3     | 0.100 REF.       |       |       | 0.004 REF.           |       |       |
| b      | 0.170            | 0.220 | 0.270 | 0.007                | 0.009 | 0.011 |
| D      | 0.950            | 1.000 | 1.050 | 0.037                | 0.039 | 0.041 |
| E      | 0.950            | 1.000 | 1.050 | 0.037                | 0.039 | 0.041 |
| D2     | 0.430            | 0.480 | 0.530 | 0.017                | 0.019 | 0.021 |
| E2     | 0.430            | 0.480 | 0.530 | 0.017                | 0.019 | 0.021 |
| L      | 0.200            | 0.250 | 0.300 | 0.008                | 0.010 | 0.012 |
| e      | 0.600            | 0.650 | 0.700 | 0.024                | 0.026 | 0.028 |
| K      | 0.150            | -     | -     | 0.006                | -     | -     |

| Package Name        | Revision            | First Angle Projection | Reference |       |       |   |
|---------------------|---------------------|------------------------|-----------|-------|-------|---|
|                     |                     |                        | IEC       | JEDEC | JEITA | - |
| DFN1010-4L (Type B) | 2024.08.14 Ver. C01 |                        |           |       |       |   |