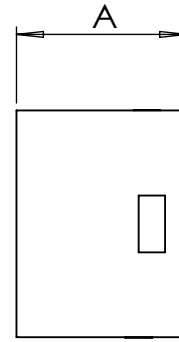
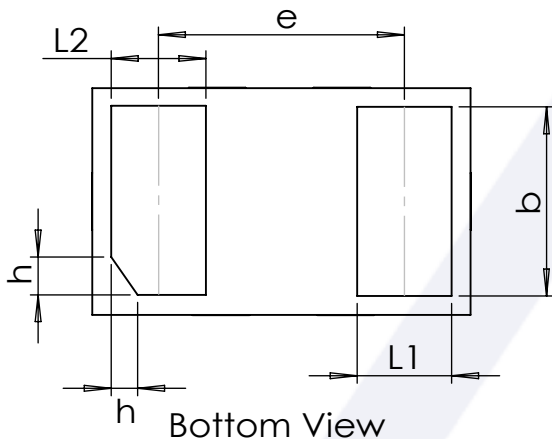


Top View



Side View 2



Bottom View

Symbol	Dimensions in mm			Dimensions in Inches		
	Min.	Typ.	Max.	Min.	Typ.	Max.
A	0.450	0.500	0.550	0.018	0.020	0.022
D	0.550	0.600	0.650	0.022	0.024	0.026
E	0.95	1.000	1.050	0.037	0.039	0.041
L1	0.200	0.250	0.300	0.008	0.010	0.012
L2	0.200	0.250	0.300	0.008	0.010	0.012
b	0.450	0.500	0.550	0.018	0.020	0.022
e	-	0.650	-	-	0.026	-
h	0.070	0.120	0.170	0.003	0.005	0.007

Package Name	Revision	First Angle Projection	Reference			
			IEC	JEDEC	JEITA	-
DFN1006-2L (Type C)	Ver. F01 2023.07.14					