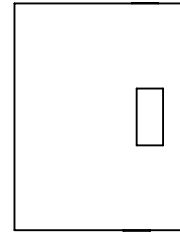
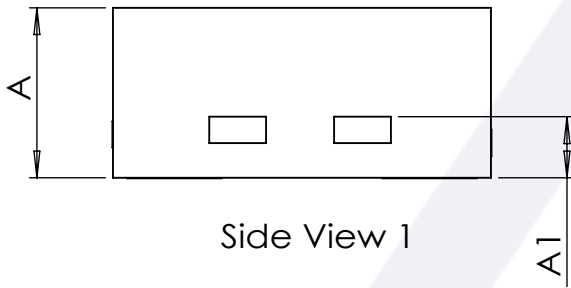


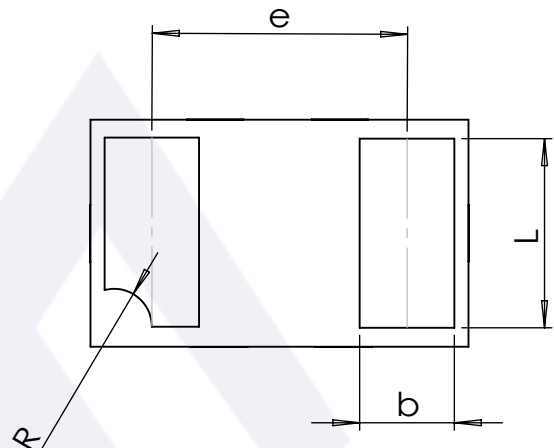
Top View



Side View 2



Side View 1



Bottom View

| Symbol | Dimensions in mm | | | Dimensions in Inches | | |
|--------|------------------|-----------|------|----------------------|------------|-------|
| | Min. | Typ. | Max. | Min. | Typ. | Max. |
| A | 0.4 | - | 0.50 | 0.016 | - | 0.020 |
| A1 | - | 0.127 REF | - | - | 0.005 REF. | - |
| D | 0.95 | 1.00 | 1.05 | 0.037 | 0.039 | 0.041 |
| E | 0.55 | 0.60 | 0.65 | 0.022 | 0.024 | 0.026 |
| b | 0.20 | 0.25 | 0.30 | 0.008 | 0.010 | 0.012 |
| L | 0.45 | 0.50 | 0.55 | 0.018 | 0.020 | 0.022 |
| e | - | 0.675 | - | - | 0.027 | - |
| R | 0.07 | 0.10 | 0.13 | 0.003 | 0.004 | 0.005 |

| Package Name | Revision | First Angle Projection | Reference | | | |
|------------------------|------------------------|------------------------|-----------|-------|-------|---|
| | | | IEC | JEDEC | JEITA | - |
| DFN1006-2L (Type A) | Ver. C01 2023.07.14 | | | | | |